

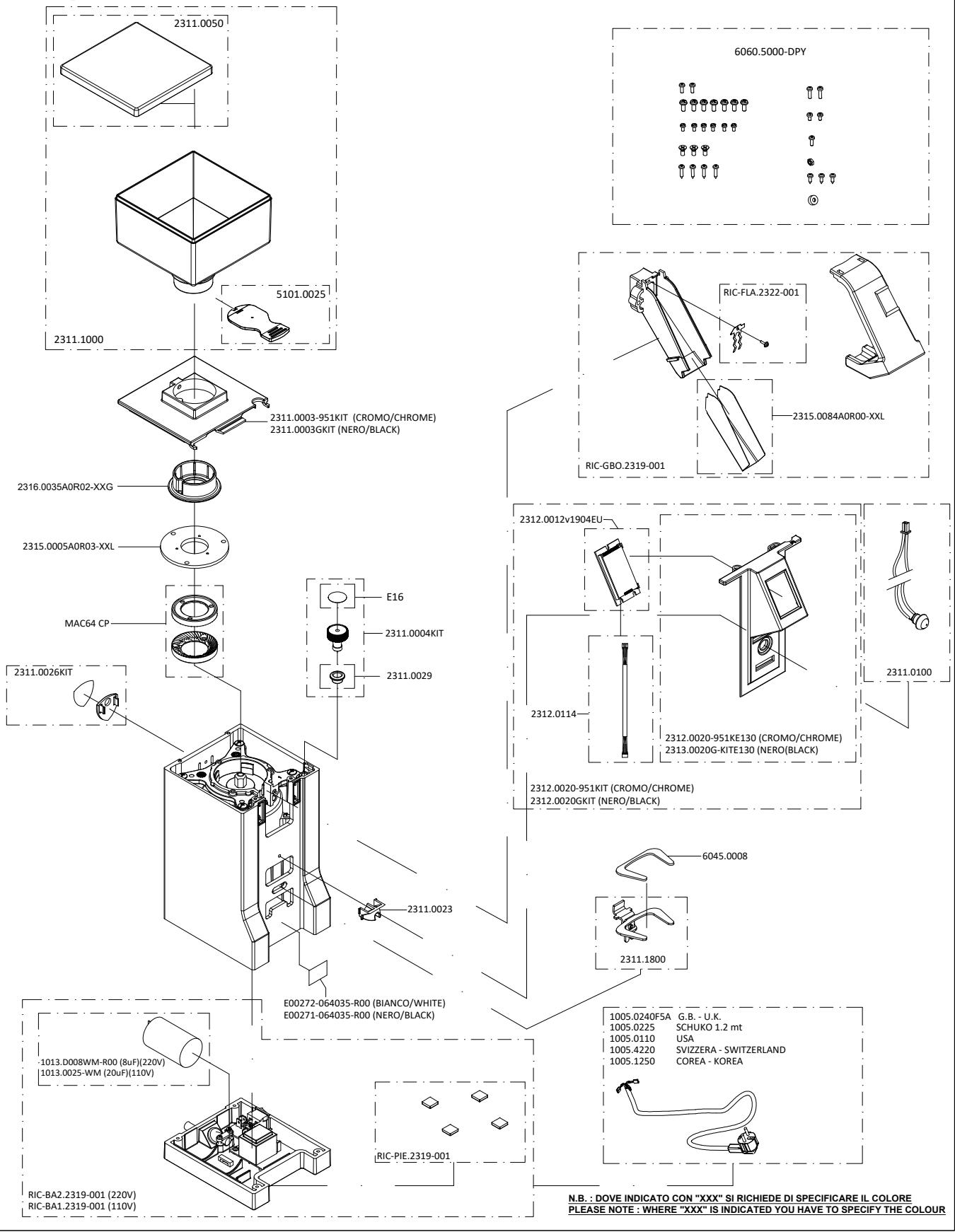


MIGNON TURBO

12/07/2023

ESGR-2319-01v2146

110V/60Hz - 220V/60Hz - 220-230V/50Hz - 230-240V/50Hz





**YOUR COFFEE
EXPERIENCE**

Listino ricambi/ Spare Parts Price List **MIGNON TURBO**

ARTICOLO ITEM N°	DESCRIZIONE DESCRIPTION	PREZZO PRICE
1005.0110	CABLAGGIO UL/CSA V110 USA/CANADA PLUG V110	€ 7.36
1005.0225	CABLAGGIO MONOFASE mt.1,20 spina schuko SCHUKO PLUG 1.2 mt V220	€ 7.36
1005.1250	CABLAGGIO VOLT. 220 per Korea KOREA PLUG V220	€ 13.46
1005.4220	CABLAGGIO MONOFASE per Svizzera SWITZERLAND PLUG V220-230	€ 7.36
2311.0023	TASSELLO PORTAFILTRO MIGNON ME/MP FILTER HOLDER	€ 3.68
2311.0029	GUARNIZIONE POMELLO MIGNON v. 1708 MIGNON KNOB SEAL	€ 1.27
2311.0050	COPERCHIO CAMPANA MIGNON v.1708 LID HOPPER MIGNON	€ 6.10
2311.0100	KIT MICRO ME 1000.0009+CAV73+6062.0018-0 MICRO ACTIVATION SWITCH	€ 12.19
2311.1000	CAMPANA MIGNON ME 300gr. COMPLETA MIGNON BEAN HOPPER (300G)	€ 29.21
2311.1800	KIT FORCELLA REGOLABILE MIGNON ME/MP ADJUSTABLE FORK	€ 42.67
2312.0114	CAVO COLLEGAMENTO ALIM/DPY x MGv1708 DISPLAY CABLE FOR MIGNON	€ 6.10
5101.0025	LINGUETTA CAMPANA ME / RRF HOPPER CLOSING TAB	€ 2.42
6045.0008	GOMMA ADESIVA FORCELLA MIGNON MAXI FORK ADHESIVE RUBBER	€ 4.83
1005.0240F5A	CABLAGGIO VOLT. 240 per GB + fus. 5A U.K. PLUG V230-240	€ 13.46
1013.0025-WM	CONDENSATORE 25MF 250Vac 60Hz CAPACITOR 25MF 250Vac 60Hz	€ 14.61
1013.D008WM-R00	CONDENSATORE 8MF 500Vac 50/60Hz CAPACITOR 8MF 500Vac 50/60Hz	€ 12.19
2311.0003-951KIT	KIT COPERCHIO CROMO MIGNON ME TOP COVER KIT (CHROME)	€ 14.61



**YOUR COFFEE
EXPERIENCE**

Listino ricambi/ Spare Parts Price List **MIGNON TURBO**

2311.0003GKIT	KIT COPERCHIO NERO MIGNON ME TOP COVER KIT (BLACK)	€ 4.83
2311.0004KIT	KIT POMELLO NERO MIGNON SILENT BLACK KNOB KIT	€ 7.36
2311.0026KIT	KIT SCUDETTO EUREKA MIGNON SILENT EUREKA 1920 LOGO KIT w/ SCREW	€ 3.68
2312.0012v1904EU	SK DPY TOUCH MIGNON ME/MP EUREKA v.19/04 TOUCHSCREEN DISPLAY UNIT	€ 36.57
2312.0020-951KE130	KIT PANNELLO DISPLAY ME CROMO + E130 FRONT COVER KIT (CHROME)	€ 24.38
2312.0020-951KIT	KIT PANNELLO DISPLAY ME CROMO DISPLAY PANEL KIT (CHROME)	€ 91.43
2312.0020GKIT	KIT PANNELLO DISPLAY ME NERO DISPLAY PANEL KIT (BLACK)	€ 67.05
2313.0020G-KITE130	KIT PANNELLO DISPLAY ME GOFFR. + E130 FRONT COVER KIT (BLACK)	€ 12.19
2315.0005A0R03-XXL	PORTAMACINE SUP dia.65mm ME XL / SD R03 UPPER BURR HOLDER (65mm)	€ 18.29
2315.0084A0R00-XXL	SCIVOLO MIGNON XL/TURBO/STARK METALLIC SLIDE	€ 7.36
2316.0035A0R02-XXG	GUARNIZIONE CAMPANA X MIGNON SINGLE R02 BEAN HOPPER SEAL	€ 2.42
6060.5000-DPY	KIT VITERIE x MIGNON con display MOUNTING SCREW KIT MIGNON	€ 3.68
E00271-064035-R00	ETICHETTA TURBO SCR. NERA "TURBO" WHITE LABEL	€ 3.68
E00272-064035-R00	ETICHETTA TURBO SCR. BIANCA "TURBO" WHITE LABEL	€ 3.68
E16	ETICHETTA FINE GROSSO FAMIGLIA MIGNON KNOB'S LABEL	€ 0.92
MAC64 CP	COPPIA MACINE PIANE mm.65 FLAT BURRS 65 mm	€ 22.32
RIC-BA1.2319-001	RIC. BASE110_TURBO_STD BASE GROUP 110v	€ 48.76
RIC-BA2.2319-001	RIC. BASE220_TURBO_STD BASE GROUP 220v	€ 42.67



YOUR COFFEE
EXPERIENCE

Listino ricambi/ *Spare Parts Price List* **MIGNON TURBO**

RIC-FLA.2322-001	RIC. FLAP_STARK_STD FLAP KIT	€ 2.65
RIC-GBO.2319-001	RIC. GR.BOCCHETTONE_TURBO_STD COFFEE EXIT CHUTE	€ 17.14
RIC-PIE.2319-001	RIC. PIEDINI_TURBO_STD BASE FEET KIT	€ 2.19

- Gli articoli evidenziati sono i ricambi delle parti soggette a maggiore usura, e quindi il loro approvvigionamento è particolarmente consigliato
- Tutti i prezzi si intendono IVA esclusa
- La merce viene venduta franco fabbrica a Sesto Fiorentino (FI) e viaggia a rischio del committente.

- The items highlighted are the spare parts of the pieces subject to greater wear, and therefore their supply is particularly recommended
- All prices are intended VAT excluded
- Goods are sold ex works from Sesto Fiorentino (FI), Italy and travel at the risk of the Customer